

*EV-inline*

*Axle Inc*

## Product/Service Information

WE DRIVEN TO SUCCEED AND GEARED TO PROVIDE RELIABILITY

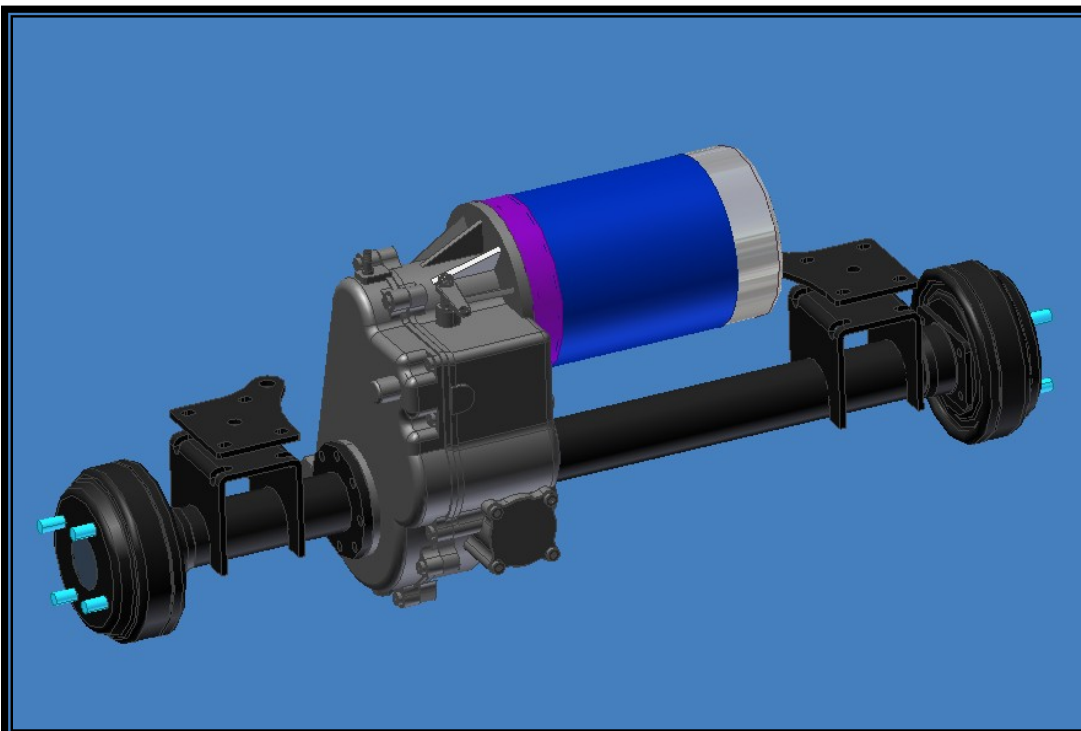
### *EV in-line 2-Speed Gearbox*

In production since 2011 – Design can be used as independent gearbox or with axle & axle housing creating a solid axle. Self contained center gearbox (oil stays inside gearbox), 130lb.ft. Maximum input torque. Axle housings are dry. Many widths available, 4x2 or 4x4 capable. Synchronized shifting allows shifting on the move without stopping. Standard options below:

Stock Gear Ratios - 10.0 & 20.0 and 17 & 24

Input Spline -19 & 10 tooth

Differential options - Open differential, manual differential lock or limited slip.

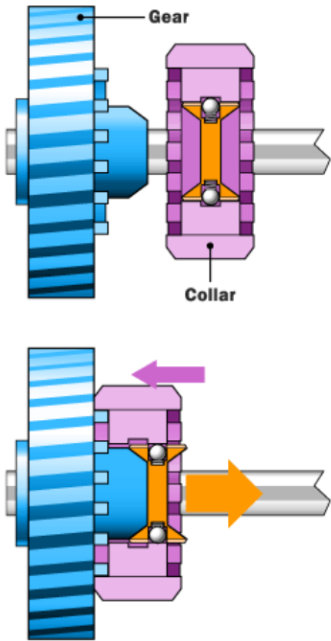


**Axle Inc**

Mailing Address:  
PO BOX 333  
Coopers Plains, NY 14827  
Shipping Address:  
158 Main Street  
Painted Post, NY 14870

Phone: (844)-295-3462  
Fax: (844)-295-3461  
E-mail: [axleinc@stny.rr.com](mailto:axleinc@stny.rr.com)

# 2-Speed, Shift while moving, how does it work?



Synchronizers (orange - left view) inside the gearbox allows the speed difference between two gear ratios to be matched allowing the smooth transition from one gear ratio to the next.

To the right you see inside the heavy-duty "EV-inline" 2 speed and the synchronizers that allow the smooth transition from one gear ratio to the next.

